

FLOAT AND THERMOSTATIC STEAM TRAPS

FLT14I

(Stainless steel DN1" – DN25)

DESCRIPTION

FLT14I float and thermostatic (integral air vent) steam traps series are designed for all types of low and high pressure steam heating and process equipment.

Typical applications include unit heaters, heat exchangers, driers, jacketed vessels and all the applications where continuous drainage is essential.

Connections are female screwed or flanged for horizontal or vertical installation.

MAIN FEATURES

Modulating discharge.

Discharges condensate at steam temperature.

Unaffected by sudden or wide load and pressure changes.

Excellent air discharge (by thermostatic air vent).

OPTIONS: SLR – steam lock release
Equalizing plug or vent connection
Internal strainer

USE: Saturated and superheated steam.

AVAILABLE

MODELS: FLT14I-4,5 , 10 and 14

SIZES: DN 1" – DN25

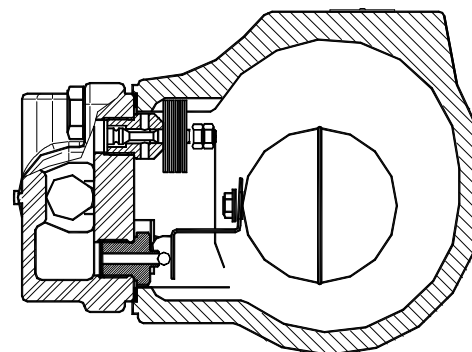
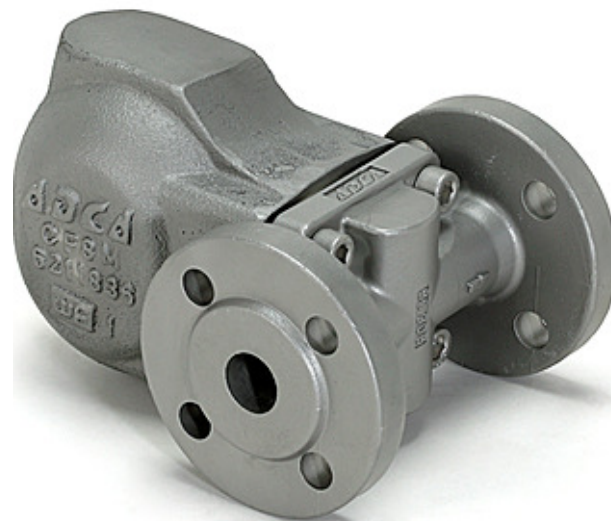
CONNECTIONS: Female screwed ISO7/1 Rp (BS21)
Flanged EN 1092-1 PN16 or ANSI

INSTALLATION: Standard horizontal installation –
From right to left FLT14I (R-L)

Upon request:

-horizontal installation with the flow from left to right (L-R)

-vertical installation with the flow from top to bottom (V)



MAX. DIFFERENTIAL PRESSURE

FLT14I-4,5 : 4,5 bar

FLT14I-10 : 10 bar

FLT14I-14: 14 bar

BODY LIMITING CONDITIONS

| FLANGED PN16* | FLANGED ANSI 150 ** | RELATED TEMP. |
|------------------|------------------------|------------------|
| ALLOW. PRES. | ALLOW. PRES. | |
| 16 bar | 16 bar | 100 °C |
| 14,5 bar | 14,8 bar | 150 °C |
| 13,4 bar | 13,6 bar | 200 °C |
| 12,7 bar | 12 bar | 250 °C |

PMO - Max. operating pressure 14 bar

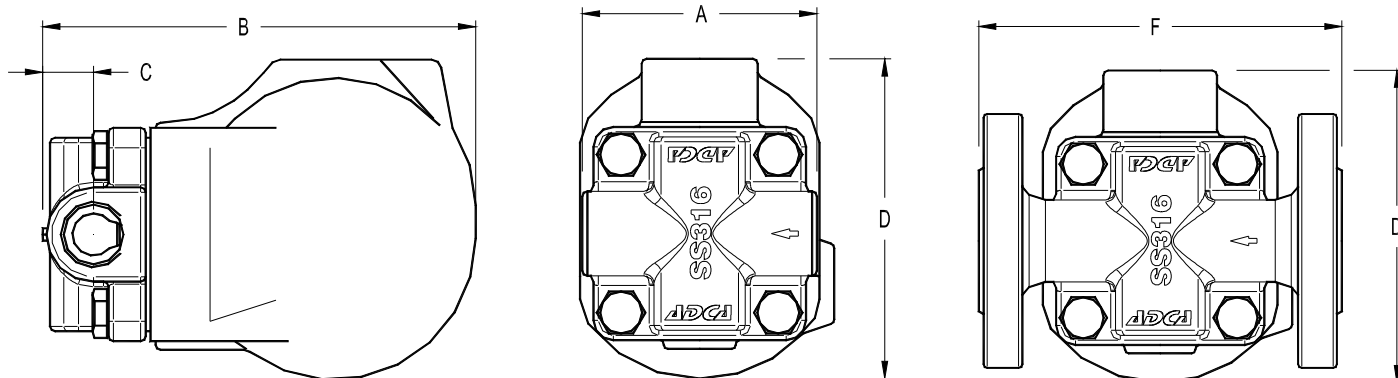
TMO - Max. operating temperature 198 °C

* According to EN1092-1:2007 ; ** Acc. to EN1759-1:2004

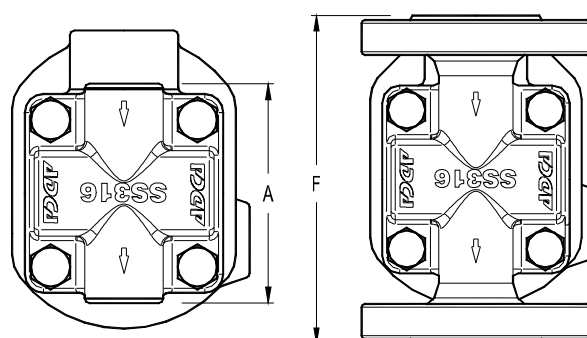
Body limiting conditions PN16 or below, depending on the type of connection adopted. Rating PN16 for thread.

FLOW RATE CAPACITY IN Kgs/h

| MODEL | SIZE | DIFFERENTIAL PRESSURE (bar) | | | | | | | | | | | | |
|------------|--------|-----------------------------|-----|-----|-----|-----|-----|-----|-----|-----|-----|-----|-----|-----|
| | | 0,5 | 1 | 1,5 | 2 | 3 | 4,5 | 6 | 7 | 8 | 9 | 10 | 12 | 14 |
| FLT14I-4,5 | 1"- 25 | 230 | 330 | 400 | 440 | 535 | 630 | | | | | | | |
| FLT14I-10 | 1"- 25 | 150 | 200 | 250 | 280 | 340 | 400 | 460 | 495 | 520 | 550 | 595 | | |
| FLT14I-14 | 1"- 25 | 120 | 150 | 190 | 220 | 260 | 320 | 380 | 400 | 425 | 440 | 480 | 510 | 550 |



| DIMENSIONS (mm) | | | | | | | | | |
|-----------------|---------|-----|----|-----|----------|---------|----------|----------|----------|
| SIZE DN | Screwed | | | | | EN PN16 | | ANSI 150 | |
| | A | B | C | D | WGT. Kgs | F | WGT. Kgs | F | WGT. Kgs |
| 15-1/2" | 95 | 178 | 23 | 128 | 5,2 | 150 | 6,7 | 150 | 6,2 |
| 20-3/4" | 95 | 178 | 23 | 128 | 5,2 | 150 | 7,2 | 150 | 6,4 |
| 25-1" | 95 | 178 | 23 | 128 | 5,2 | 160 | 7,7 | 160 | 7,3 |


Vertical Installation (V)

| MATERIALS | | |
|-----------|-------------|----------------------------|
| POS.Nr. | DESIGNATION | MATERIAL |
| 1 | Body | CF8M / 1.4408 |
| 2 | Cover | CF8M / 1.4408 |
| 3 | *Gasket | Stainless st./Graphite |
| 4 | *Seat | AISI 410 / 1.4006 |
| 5 | *Valve | AISI 440C / 1.4125 |
| 6 | *Lever | AISI 304 / 1.4301 |
| 7 | *Float | AISI 304 / 1.4301 |
| 8 | *Air vent | Stainless st. (Bimetallic) |
| 9 | Bolts | St. Steel A2-70 |

*Available spare parts.

